

Stainless Steel Silencer for DA 85 and DA 170

Very compact, tuned stainless steel silencer, diameter only 70 mm. Two 15 mm outlet pipes.

Without header and fixing materials. For the DA 170 two are required.

Weight 379 g.

Silencer DA 85 / DA 170, 1 piece #8570 € 135,90



Smoke Nipple

The stainless steel silencer #8570 can also be supplied fitted with a nipple for smoke oil.

Extra cost for smoke oil nipple #5772 € 3,50

For Teflon Tubing and Spring Clips please see page 109.

Stainless Steel Headers

Light and tough headers made from stainless steel tube 28 x 0,5 mm. On the DA 170 the narrow headers can be mounted inclined either to the middle or to the outside. The center line length on all headers is 210 mm, this is the correct length for the silencer #8570.

Header DA 85, narrow, inclined left #8575 € 27,00

Header DA 85, narrow, inclined right #8576 € 27,00

Weight: 110g. normal #8577 € 27,00

wide #8578 € 27,00

Header pair for DA 170, narrow#5976 € 53,90

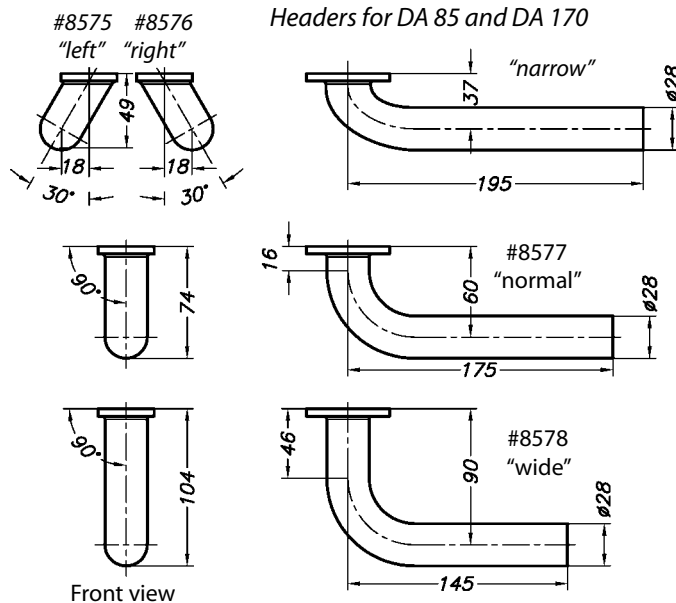
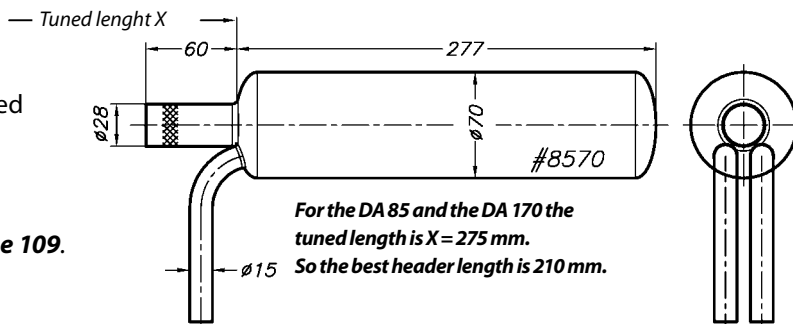
Weight per pair: 220g. normal.....#5977 € 53,90

wide#5978 € 53,90

Exhaust flange DA 85 / DA 170

Laser cut from 5 mm stainless steel.

Exhaust flange DA 85 and DA 170#8571 € 5,20



We reserve the right to alter price and spec. without prior notice.